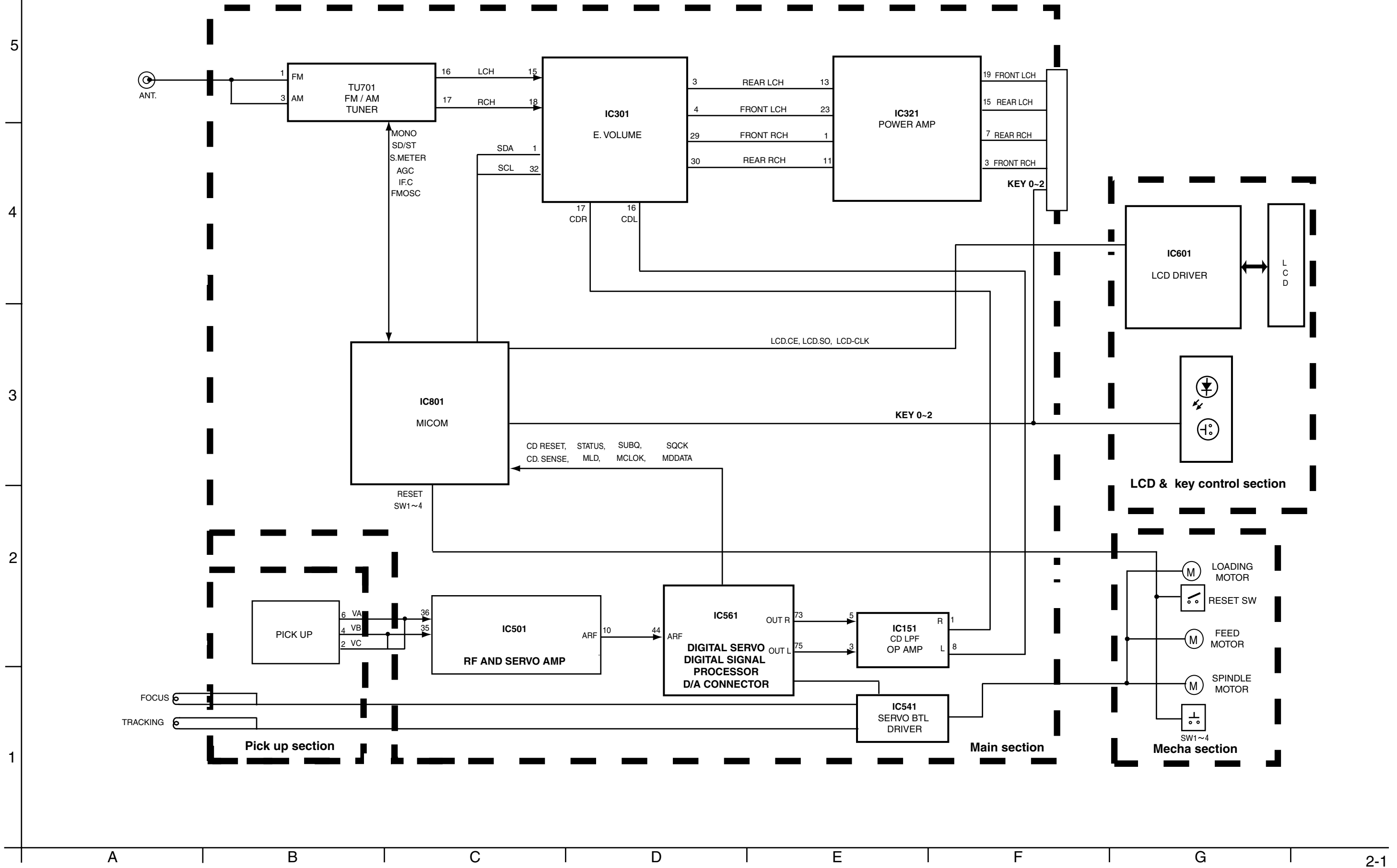


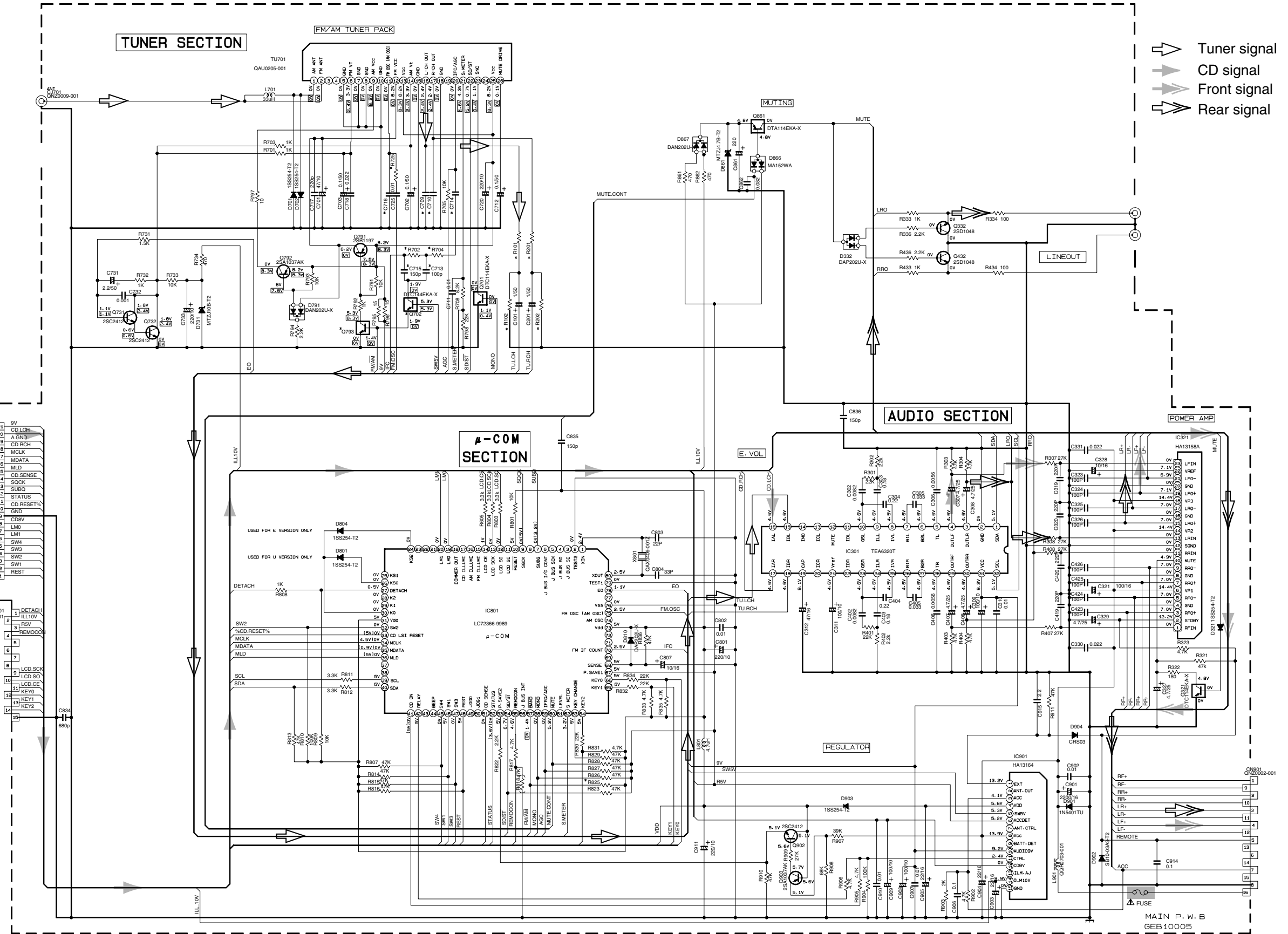
Block diagram



Standard schematic diagrams

Main amp. section

5
4
3
2
1



- Tuner signal
- CD signal
- Front signal
- Rear signal

Parts are safety assurance parts.
When replacing those parts make
sure to use the specified one.

REMARK 1

Part No.	QTY	DESCRIPTION	REMARK
C709-C710	0.033	0.022	0.022
B101-B201	2.7K	470	470
B102-B202	4.7K	1.7K	1.7K
B801	NET USED	USED	NET USED
B802	NET USED	NET USED	USED
Q703	NET USED	NET USED	USED
C715-C716	NET USED	NET USED	USED
C834	USED	NET USED	NET USED
C835	0	0	150
R703-R704	0	0	10K
B112	100K	100K	0.51
C715	NET USED	NET USED	NET USED
C836	47K	47K	47K
Q703	NET USED	NET USED	NET USED
C838	NET USED	NET USED	NET USED

2 R818 IS NOT USED FOR KD-S620J

NOTES: VOLTAGE ARE DC-MEASURED WITH A DIGITAL
VOLTMETER WITHOUT INPUT SIGNAL CONDITION
---(PWL) AM MODE: 1: 1 CD MODE

Note:KD-S570J KD-S575U KD-S620J KD-S611E
FSDH3165-005TW / 3165ma

MAIN P. W. B
GEB10005

A B C 2-2 D E F G H

CD servo & control section

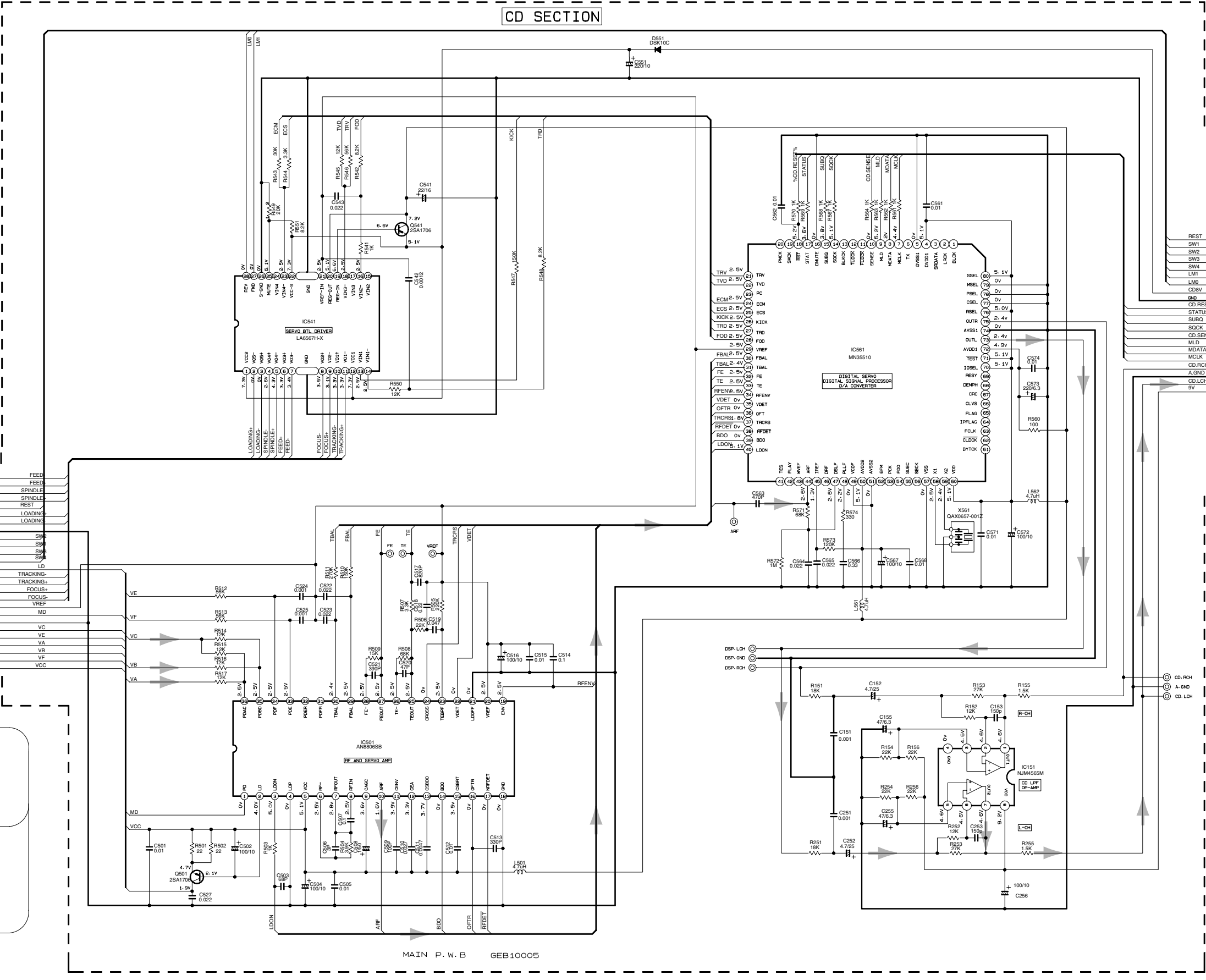
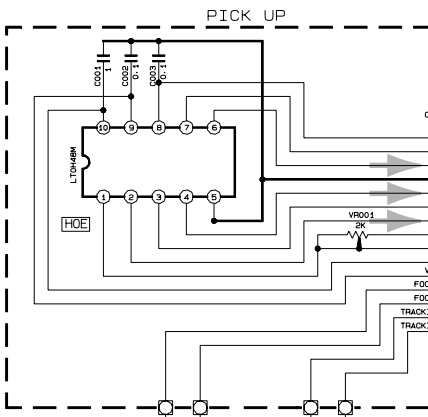
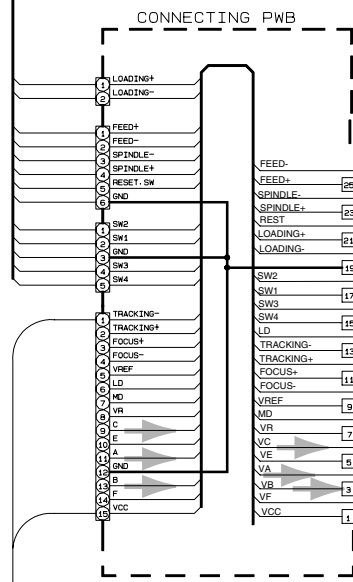
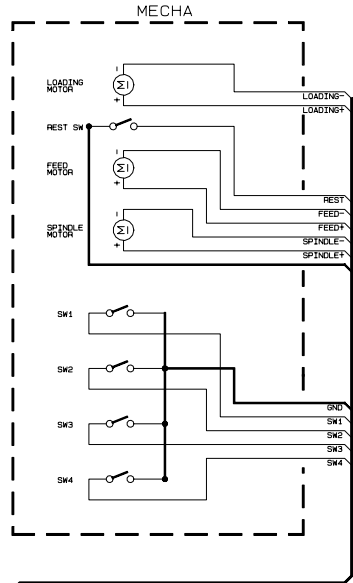
5

4

3

2

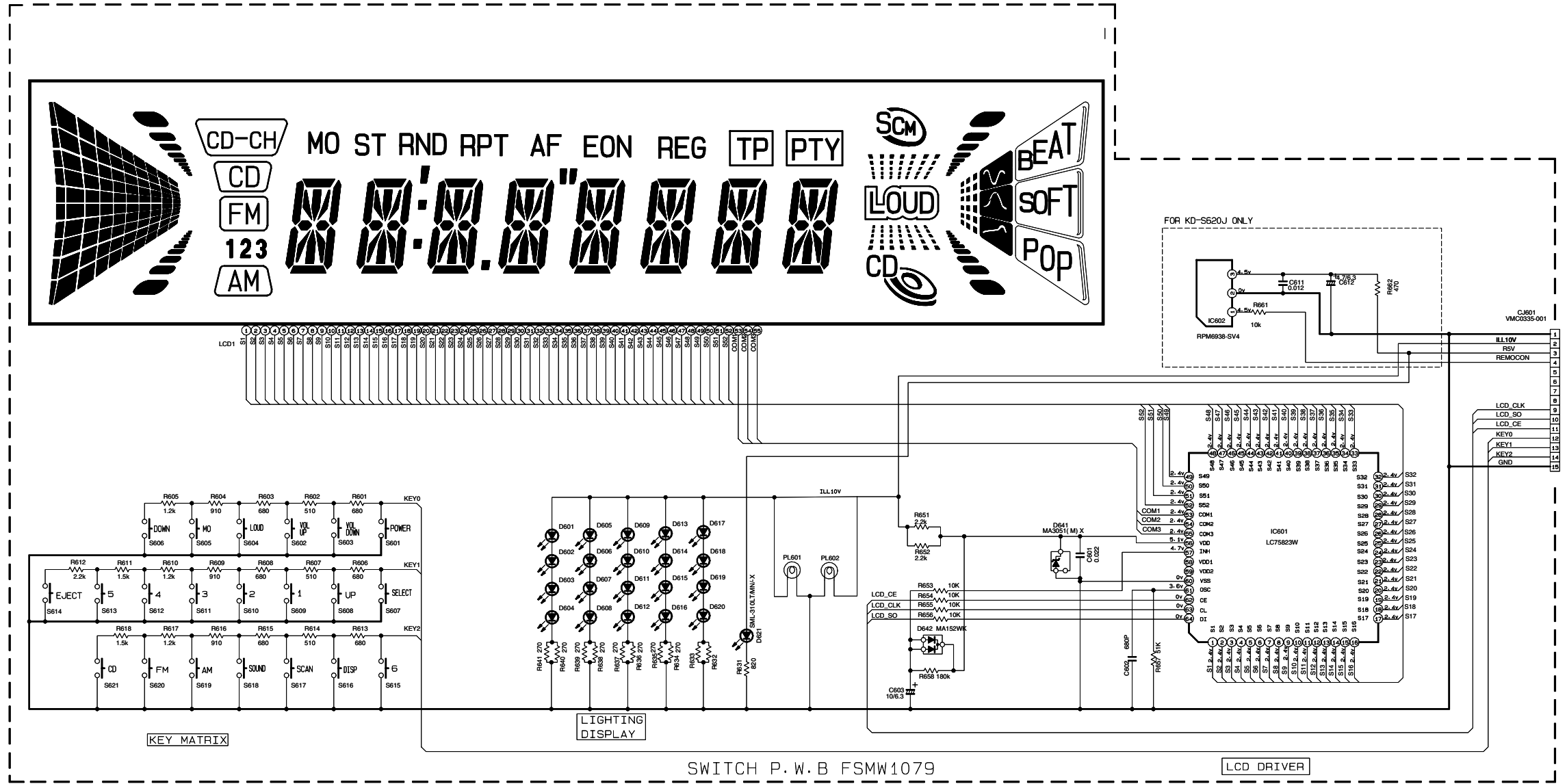
1



NOTE : VOLTAGE ARE DC-MEASURED WITH DIGITAL VOLTMETER WITHOUT INPUT SIGNAL CONDITION
--- CD MODE

➔ CD signal

■ LCD & key control section



FRONT CIRCUIT BOARD SECTION

	KD-S620	KD-S670	KD-S675/KD-S611
PL501 PL502	QLL0033-003	QLL0033-003	QLL0096-001
D617 D618 D619	SM-310V7/K/-X	LNJ308081/1-3/X	
R632 R633	NR9A02J-391X	NR9A02J-271X	
LCD1	QLD0161-001	QLD0161-001	
D601- D616	LNJ308081/1-3/X		
S601- S621	N9M0124-001X		

MODEL	SWITCH BOARD
KD-S570J	KD-SWPCB-1
KD-S620J	KD-SWPCB-2
KD-S575U Series/ KD-S611E Series	KD-SWPCB-8

NOTE VOLTAGE ARE DC-MEASURED WITH DIGITAL
VOLTMETER WITHOUT INPUT SIGNAL CONDITION

Printed circuit boards

■ Main board

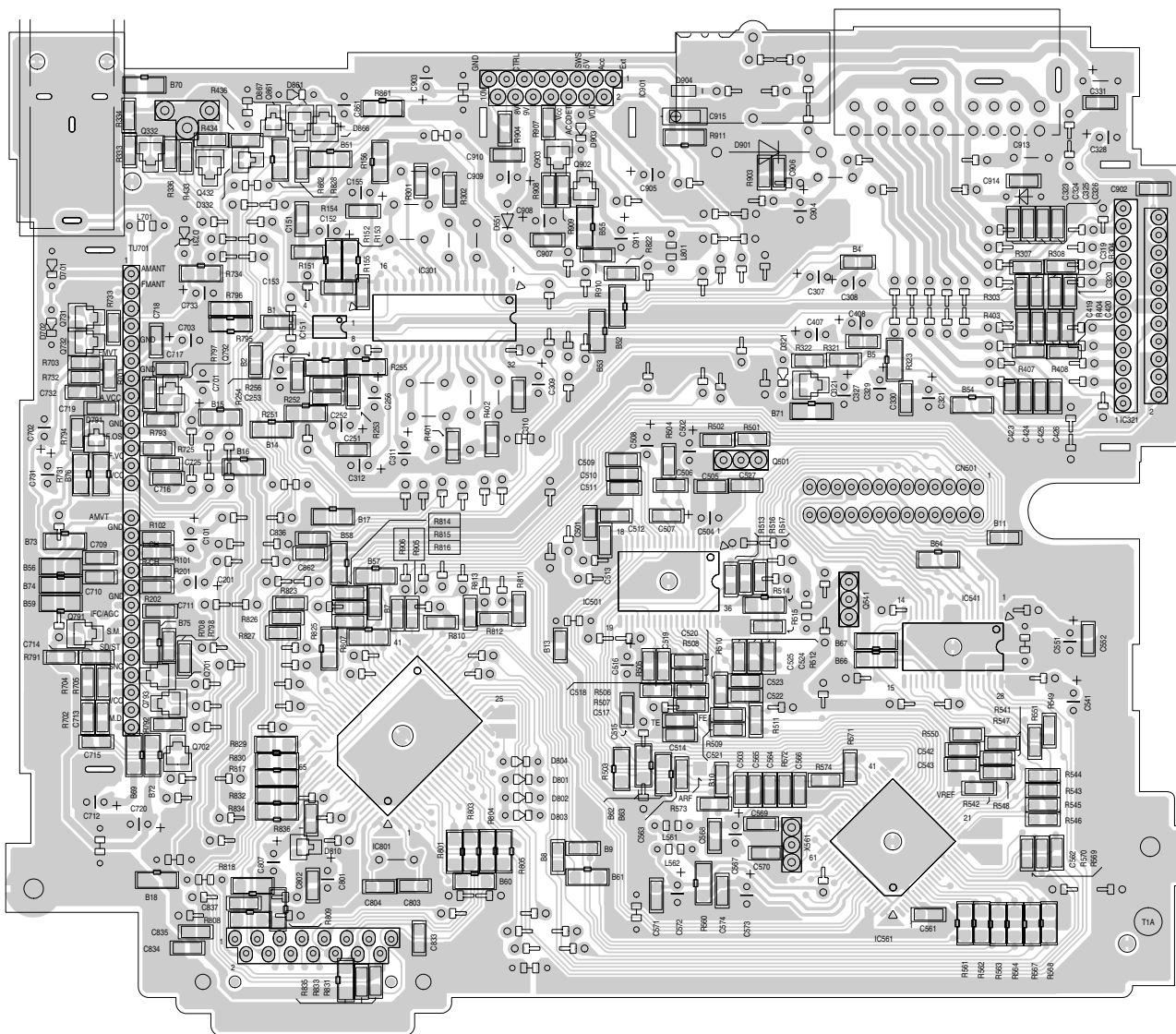
5

4

3

2

1



A

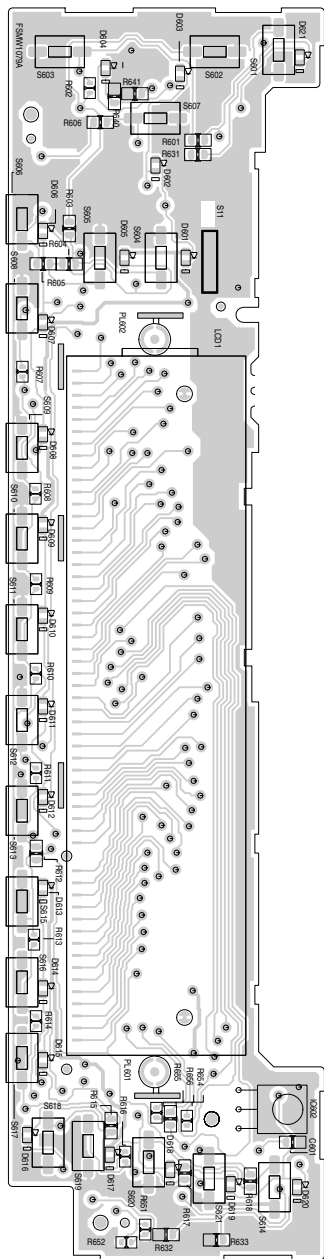
B

C

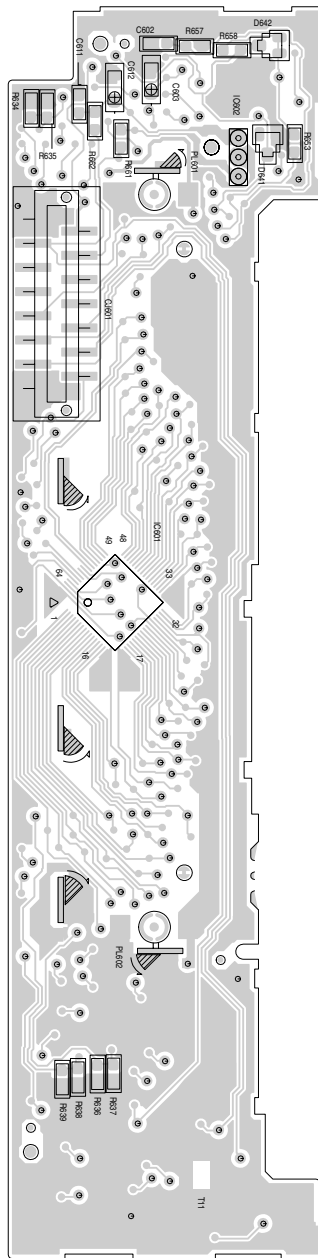
■ LCD & key control board

5

(Forward side)



(Reverse side)



4

3

2

1

2-6

A

B

C

D